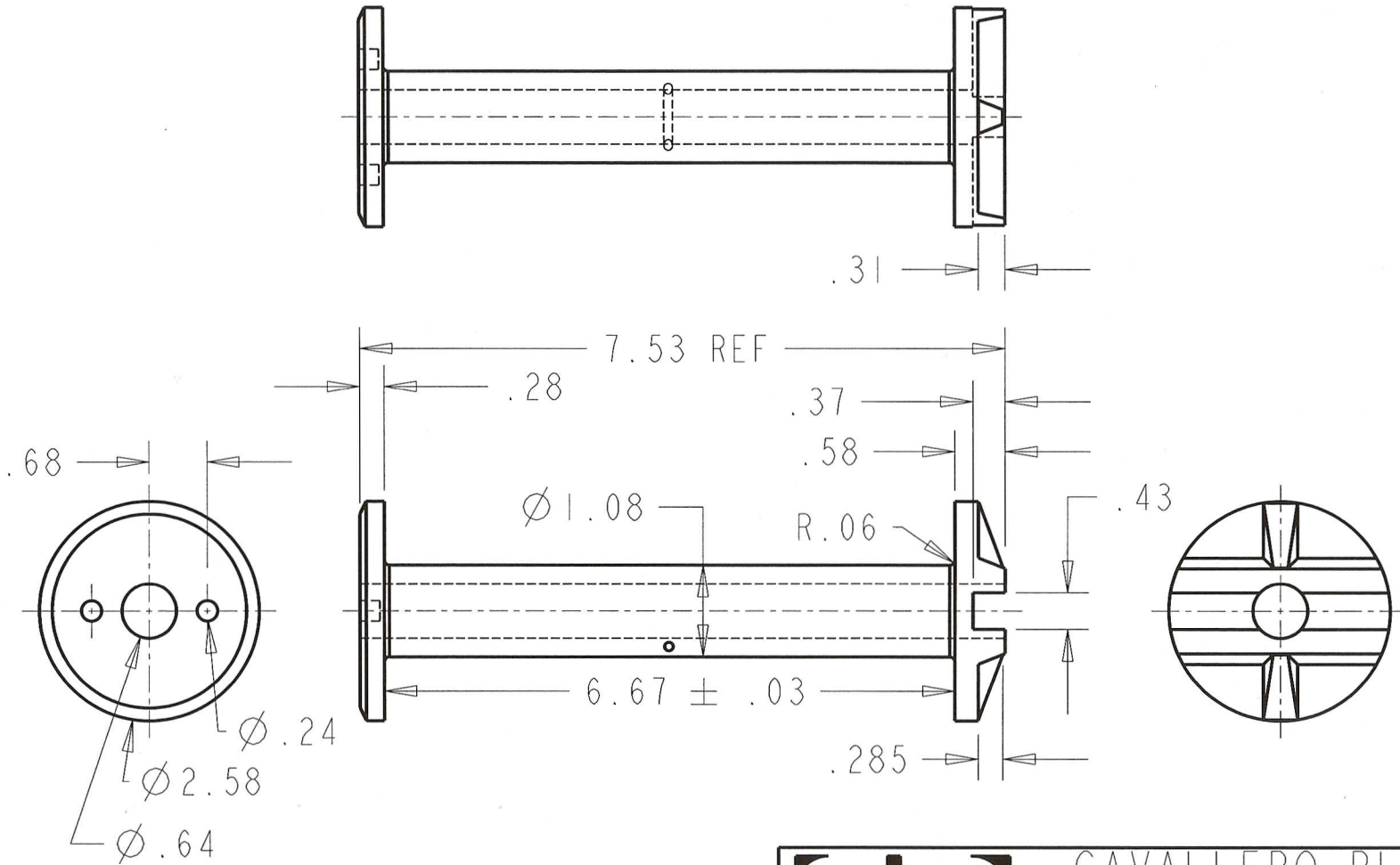
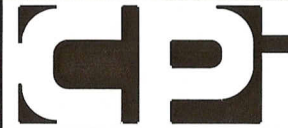


CCN # 04-052

REV	DESCRIPTION OF CHANGE, DWG LOCATION	DATE	APPROVED
B	Update drawing	9/04	sniezyk



SCALE 1/2

		<b>CAVALLERO PLASTICS INC.</b> 1250 NORTH ST. PITSFIELD MA 01201			PHONE 413-443-0925 FAX 413-443-9586 E-mail sales@cplas.com	
		TOLERANCE UNLESS SPECIFIED OTHERWISE INCHES .XXXX .XXX .XX .X & FRAC. ANGLES ±.0010 ±.005 ±.015 ±.12 MILLIMETERS ± 1.30 ± .40 ± 3.0			PART NAME: <b>BOBBIN</b> CUSTOMER: P/N CP-7.5 PART REV B	
MATERIAL: <b>6/6 GF 15</b>			SHEET 1 OF 1		DWG #	
DRAWING BY: <b>SNIEZYK</b> /date 5/18/04			CHECKED BY:		APPROVED BY: <b>TEHMANN</b> /date 5/14/04	