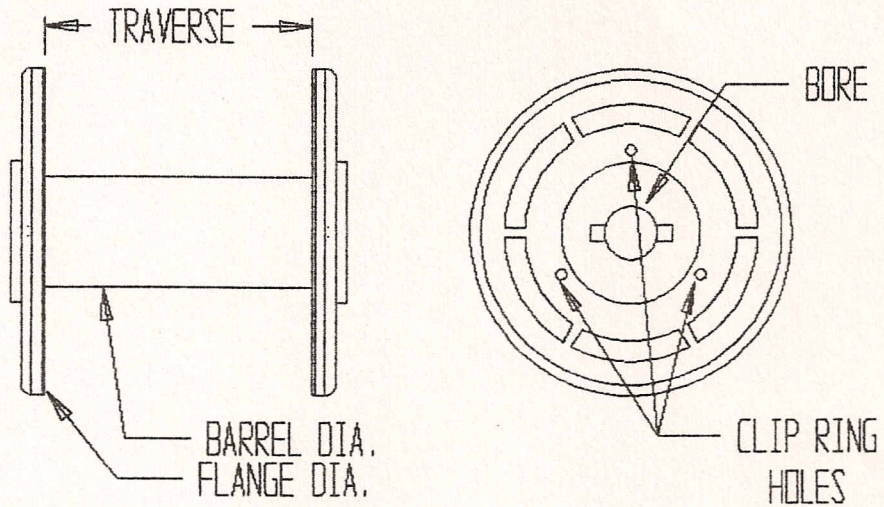




4 X 4 SPOOL



FLANGE DIA.: 3 13/16"

BARREL DIA.: 1 1/4"

TRAVERSE: 3 1/8"

BORE: 5/8" or 25/64"

DRIVE SLOT: 63/64 or 13\16" LONG
5/32" WIDE
1\4" DEEP