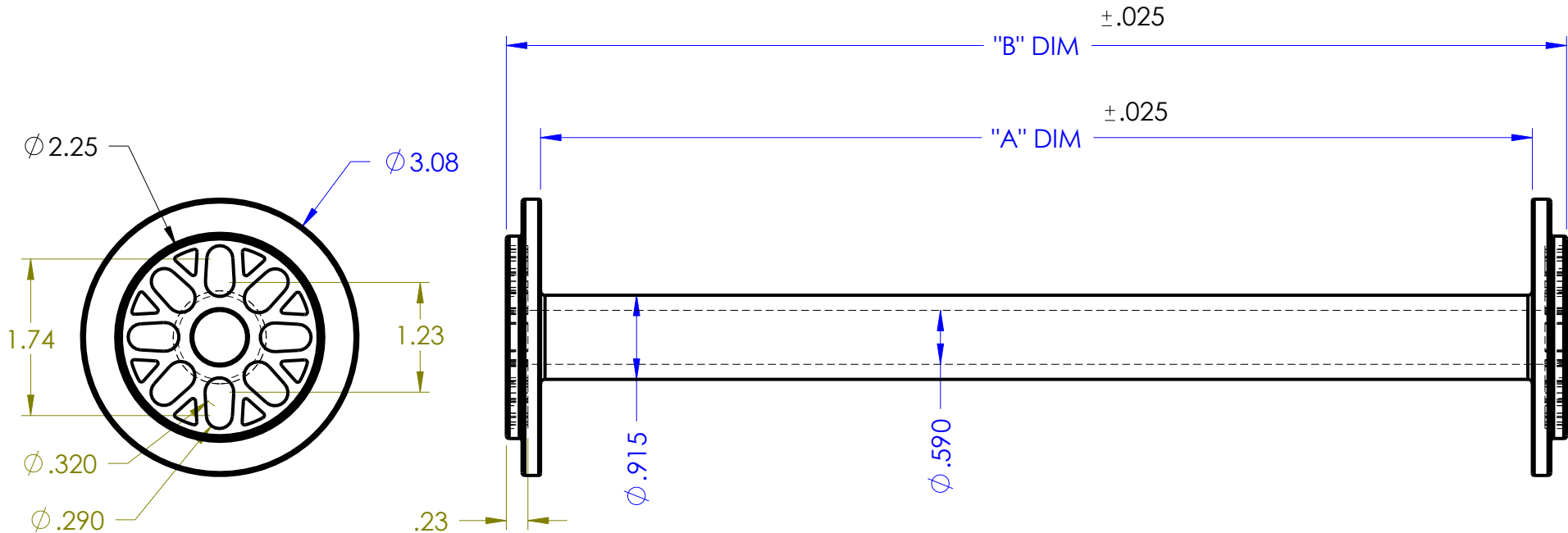
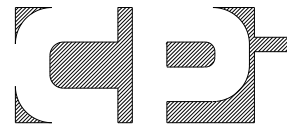


REV	DESCRIPTION OF CHANGE, DWG LOCATION	DATE	APPROVED
A	PRODUCTION RELEASE	11/29/05	



PART NAME	"A" DIM.	"B" DIM.
CP-140L (LONG)	280 MM 11.05 IN	299.7 MM 11.80 IN.
CP-140S (SHORT)	N/A	N/A



CAVALLERO PLASTICS INC.
1250 NORTH ST.
PITSFIELD MA 01201

PHONE 413-443-0925
FAX 413-443-9586
E-mail sales @cplas.com

TOLERANCE UNLESS SPECIFIED OTHERWISE INCHES				ANGLES	PART NAME:	
.XXXX	.XXX	.XX	.X & FRAC.		CP-140	
1 .0010	1 .005	1 .015	1 .12	1 1°	PART # CP-140	
MILLIMETERS					PART REV A	
	1 .130	1 .40	1 3.0	SHEET 1 OF 1		
MATERIAL: 6/6 GF 15			DWG #		APPROVED BY:	
DRAWING BY: BDB		CHECKED BY:		APPROVED BY:		
/date		/date		/date		