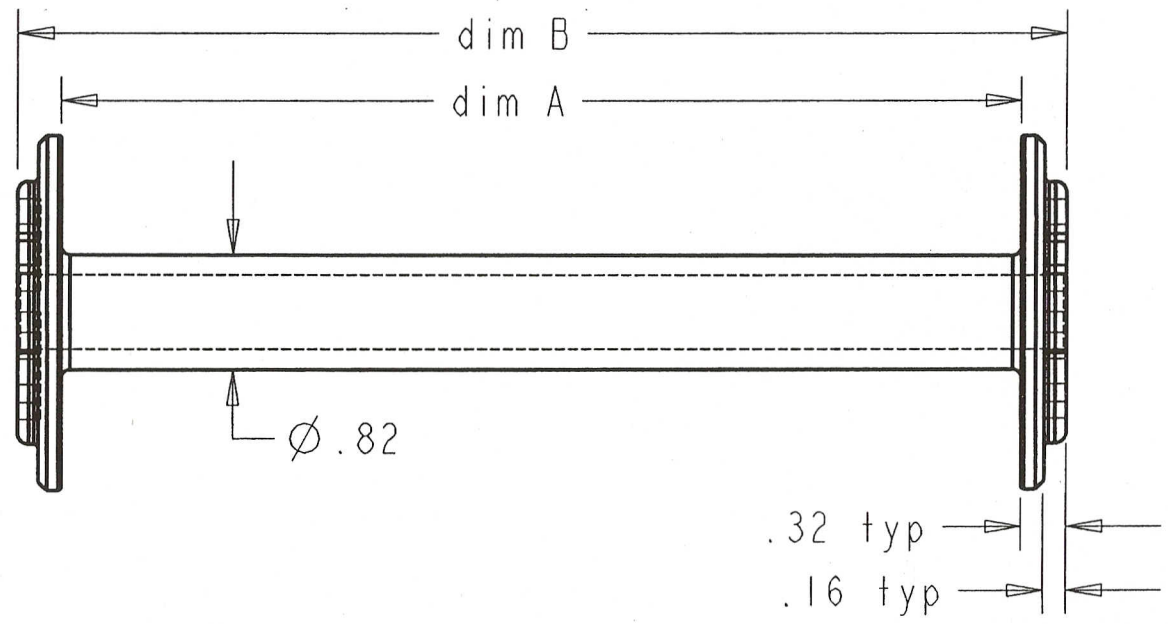
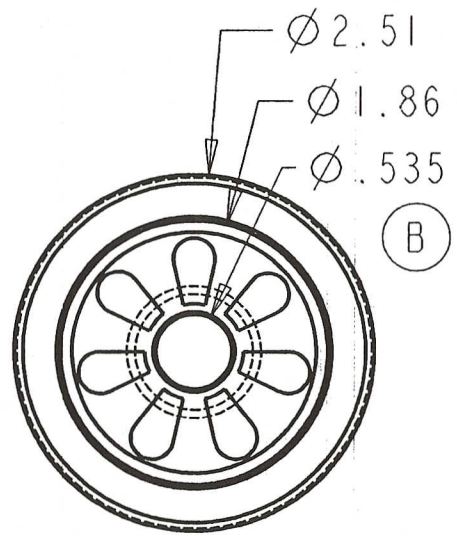



| REV | DESCRIPTION OF CHANGE, DWG LOCATION | DATE | APPROVED |
|-----|-------------------------------------|------|----------|
| B | Dia .535 was .563 | 9/04 | sniezyk |



SCALE .75

| | | |
|----------|------------------|------------------|
| 63 X 170 | 6.69 (170 mm) | 7.32 (186 mm) |
| 63 X 200 | 7.87 (200 mm) | 8.50 (216 mm) |
| Part # | dim A | dim B |

|  | | CAVALLERO PLASTICS INC. 1250 NORTH ST. PITSFIELD MA 01201 PHONE 413-443-0925 FAX 413-443-9586 E-mail sales@cplas.com | | | | | | | | | | | | | | | | | | | |
|---|--------|--|--------------|-----------------------|-------|------|-----|------------|--------|--------|-------|-------|------|-----|-------------|--|--|--|--|--------|-------|
| | | TOLERANCE UNLESS SPECIFIED OTHERWISE INCHES <table border="1"> <thead> <tr> <th>.XXXX</th> <th>.XXX</th> <th>.XX</th> <th>.X & FRAC.</th> <th>ANGLES</th> </tr> </thead> <tbody> <tr> <td>±.0010</td> <td>±.005</td> <td>±.015</td> <td>±.12</td> <td rowspan="2">±1°</td> </tr> <tr> <td colspan="4">MILLIMETERS</td> </tr> <tr> <td></td> <td>± 1.30</td> <td>± .40</td> <td>± 3.0</td> <td></td> </tr> </tbody> </table> | | | .XXXX | .XXX | .XX | .X & FRAC. | ANGLES | ±.0010 | ±.005 | ±.015 | ±.12 | ±1° | MILLIMETERS | | | | | ± 1.30 | ± .40 |
| .XXXX | .XXX | .XX | .X & FRAC. | ANGLES | | | | | | | | | | | | | | | | | |
| ±.0010 | ±.005 | ±.015 | ±.12 | ±1° | | | | | | | | | | | | | | | | | |
| MILLIMETERS | | | | | | | | | | | | | | | | | | | | | |
| | ± 1.30 | ± .40 | ± 3.0 | | | | | | | | | | | | | | | | | | |
| PART NAME: | | EUROBOBBIN | | | | | | | | | | | | | | | | | | | |
| CUSTOMER: | | P/N see table PART REV | | | | | | | | | | | | | | | | | | | |
| MATERIAL: 15 % glass filled Nylon | | SHEET 1 OF | DWG # A00450 | | | | | | | | | | | | | | | | | | |
| DRAWING BY: Sniezyk /date 9/23/04 | | CHECKED BY: /date | | APPROVED BY: /date | | | | | | | | | | | | | | | | | |