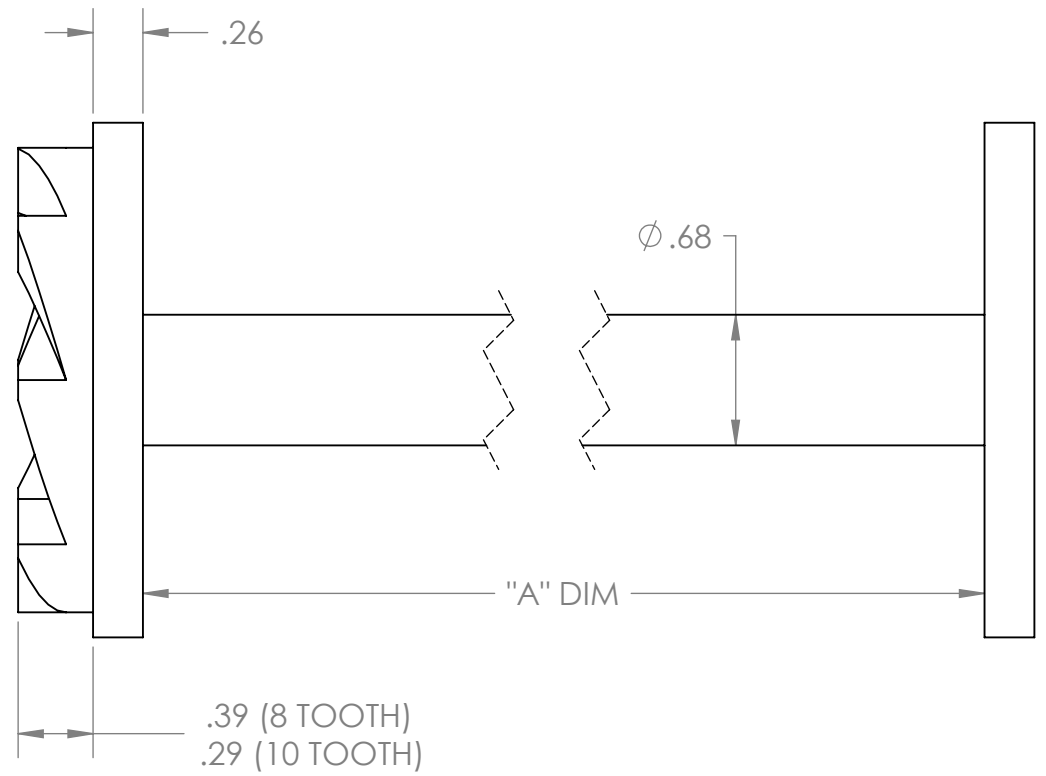
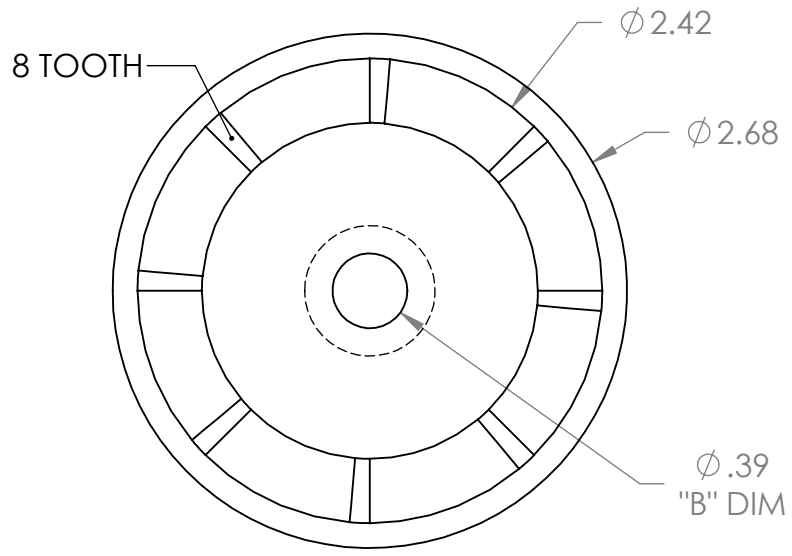
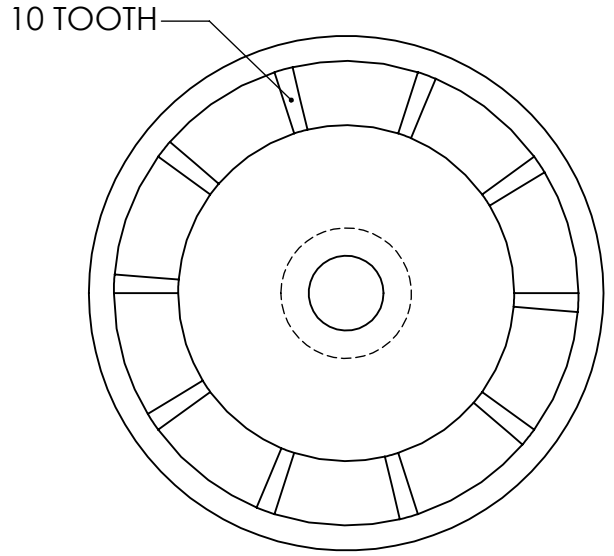


REV	DESCRIPTION OF CHANGE, DWG LOCATION	DATE	APPROVED
-	FIRST RELEASE	11-29-2007	BDB



PART#	"A" DIM	"B" DIM
1	6	.39-OR- .43-OR-.50
2	6.5	.39-OR- .43-OR-.50
3	7	.39-OR- .43-OR-.50
4	7.5	.39-OR- .43-OR-.50
5	8	.39-OR- .43-OR-.50

**CAVALLERO PLASTICS INC.**  
1250 NORTH ST.  
PITSFIELD MA 01201

PHONE 413-443-0925  
FAX 413-443-9586  
E-mail sales @cplas.com

TOLERANCE UNLESS SPECIFIED OTHERWISE INCHES .XXXX .XXX .XX .X & FRAC. ANGLES				PART NAME: <b>2BDX-HC</b>	
MILLIMETERS ± .0010 ± .005 ± .015 ± .12 ± .130 ± .40 ± 3.0				PART # 2BDX-HC PART REV -	
MATERIAL: <b>ACETAL</b>		SHEET 1 OF		DWG #	
DRAWING BY: <b>BDB</b> /date		CHECKED BY: /date		APPROVED BY: /date	