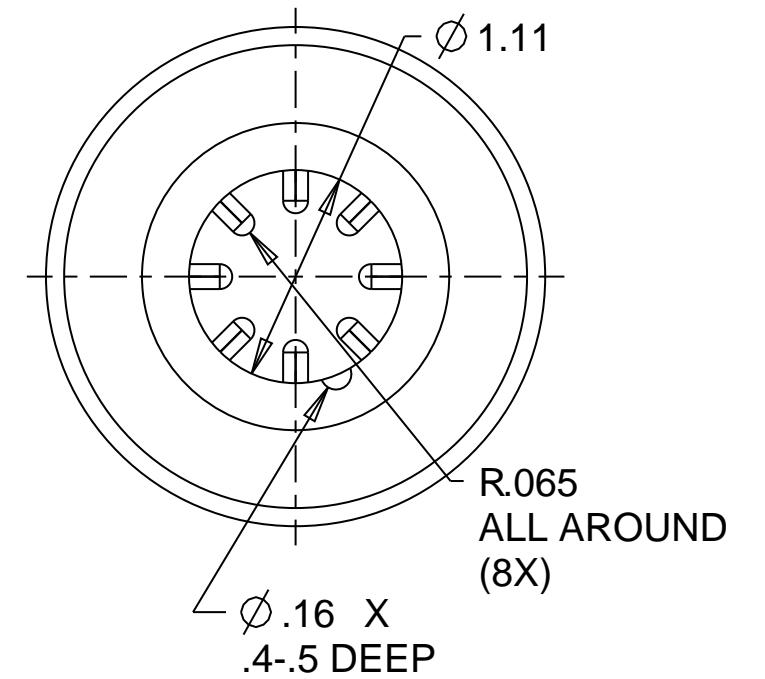
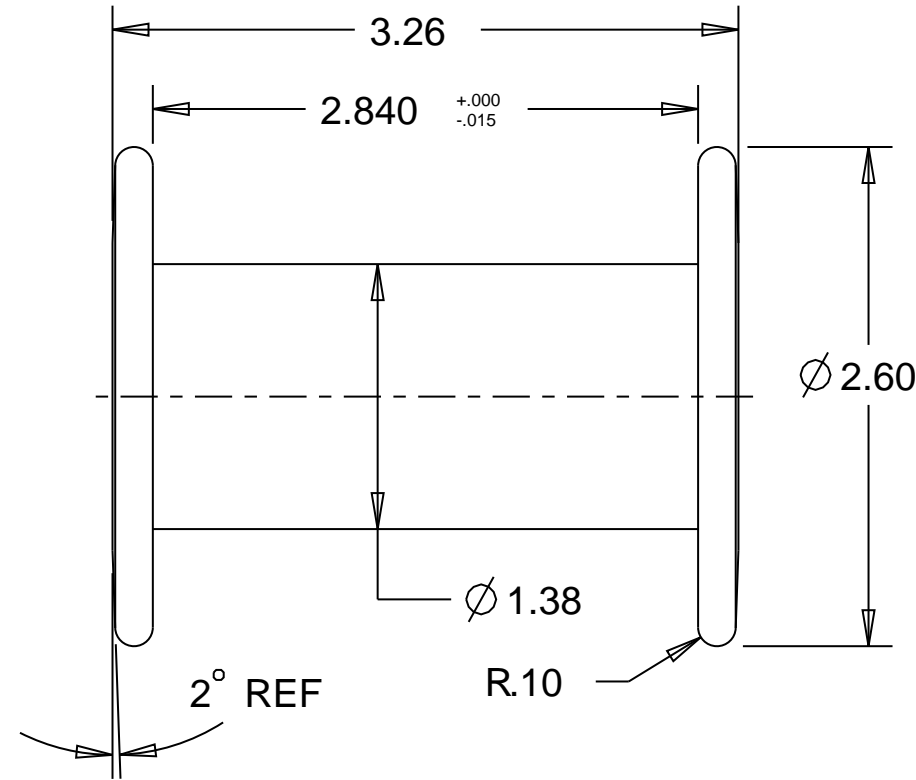
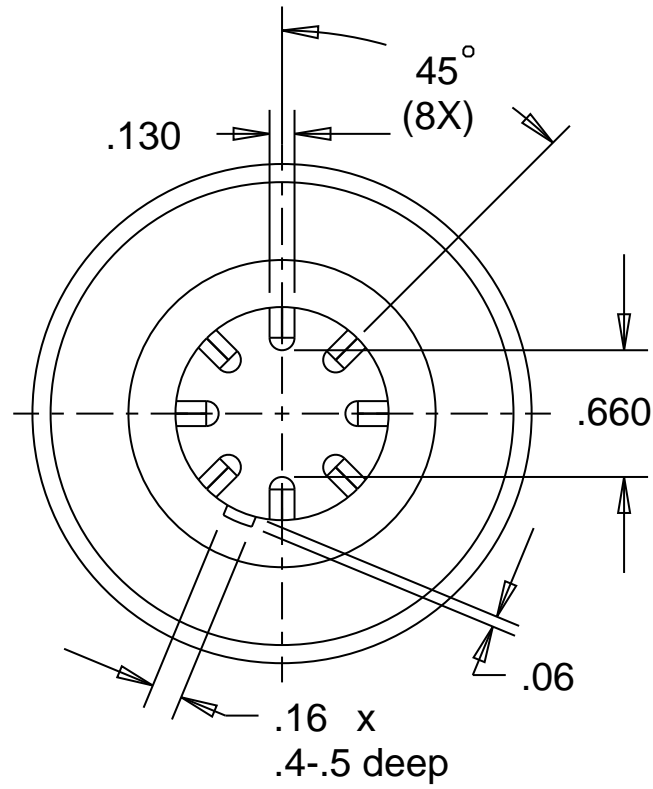
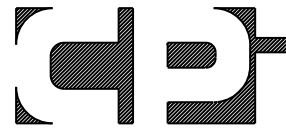


REV#	DESCRIPTION OF CHANGE, DWG LOCATION, AND PART REV	DATE	APPROVED
A	INITIAL RELEASE	10/25	SNIEZYK



	CAVALLERO PLASTICS INC. 1250 NORTH ST. PITSFIELD MA 01201			PHONE 413-443-0925 FAX 413-443-9586 E-mail engineering@cplas.com
	TOLERANCE UNLESS SPECIFIED OTHERWISE			
.XXXX ± .002	.XXX ± .005	.XX & FRAC. ± .015	ANGLES ± 1/4°	PART NAME: WIRE BOBBIN "SPOOL"
CUSTOMER CAVALLERO PLASTICS		PART # CP-16	PART REV A	
MATERIAL: NYLON			SHEET 1 OF 1	
DRAWING BY SNIEZYK 1/16/03 /DATE		CHECKED BY /DATE		APPROVED BY /DATE