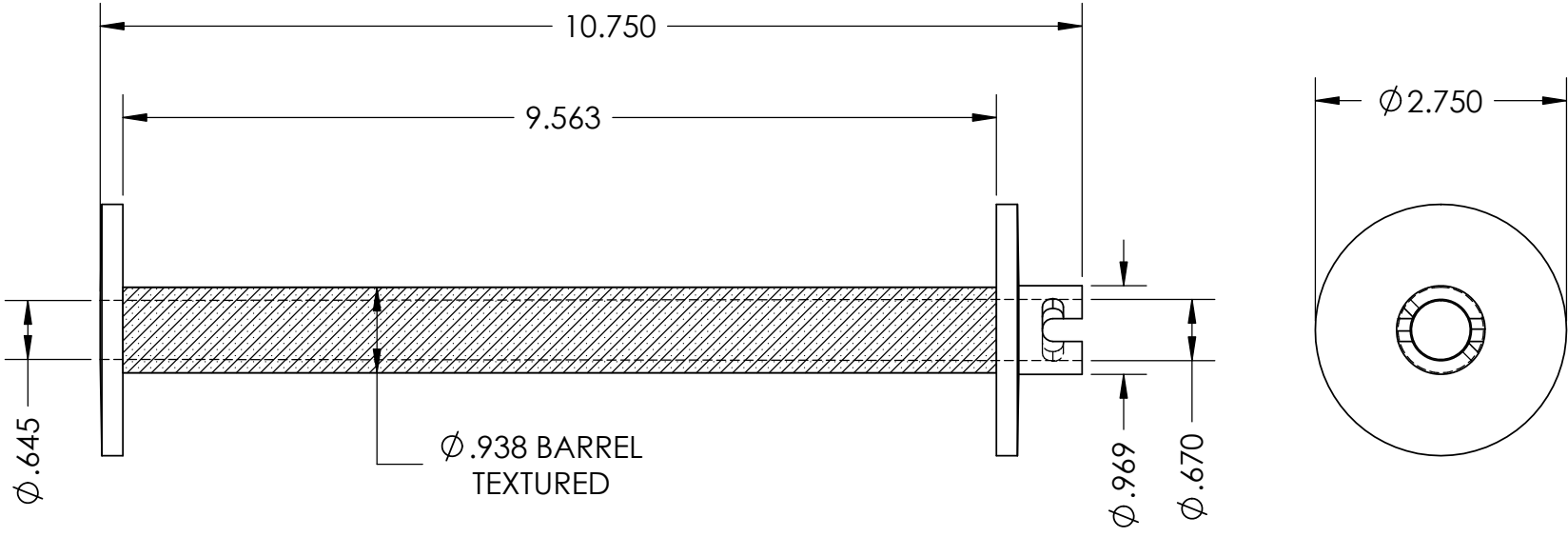



REV	DESCRIPTION OF CHANGE, DWG LOCATION	DATE	APPROVED





**CAVALLERO PLASTICS INC.**  
 1250 NORTH ST.  
 PITSFIELD MA 01201

PHONE 413-443-0925  
 FAX 413-443-9586  
 E-mail sales @cplas.com

TOLERANCE UNLESS SPECIFIED OTHERWISE INCHES					PART NAME:	
.XXXX	.XXX	.XX	.X & FRAC.	ANGLES	<b>10" STEEGER</b>	
± .0010	± .005	± .015	± .12	± 1°		
MILLIMETERS						
	± 1.30	± .40	± 3.0		PART #	PART REV
MATERIAL: TRIAX				SHEET 1 OF		DWG #
DRAWING BY: BDB /date			CHECKED BY: /date		APPROVED BY: /date	