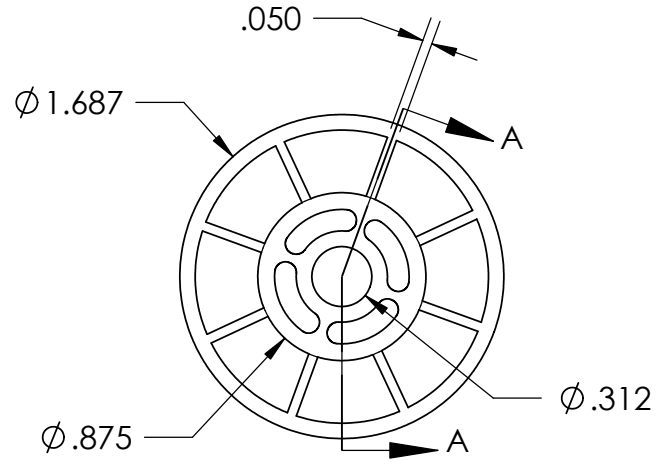
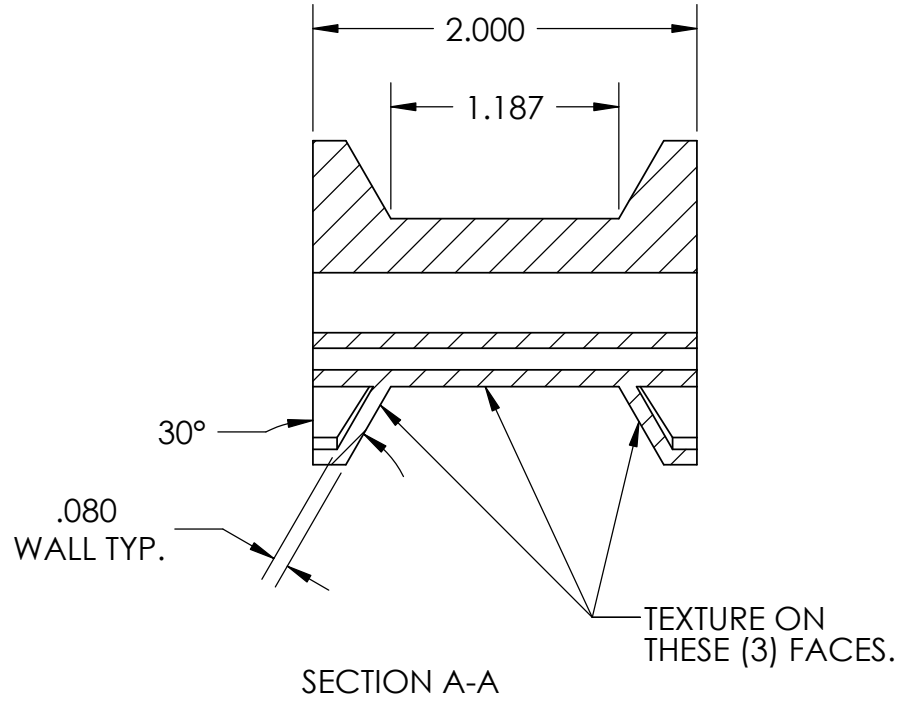
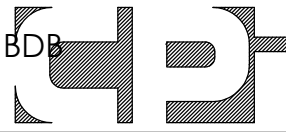


REV	DESCRIPTION OF CHANGE, DWG LOCATION	DATE	APPROVED





BDP

CAVALLERO PLASTICS INC.
 1250 NORTH ST.
 PITSFIELD MA 01201

PHONE 413-443-0925
 FAX 413-443-9586
 E-mail sales @cplas.com

TOLERANCE UNLESS SPECIFIED OTHERWISE INCHES					PART NAME:	
.XXXX	.XXX	.XX	.X & FRAC.	ANGLES	A SPOOL (1 OZ)	
± .0010	± .005	± .015	± .12	± 1°		
MILLIMETERS					PART #	PART REV
	± 1.30	± .40	± 3.0			
MATERIAL:				SHEET 1 OF		DWG #
DRAWING BY: /date BDP			CHECKED BY: /date		APPROVED BY: /date	