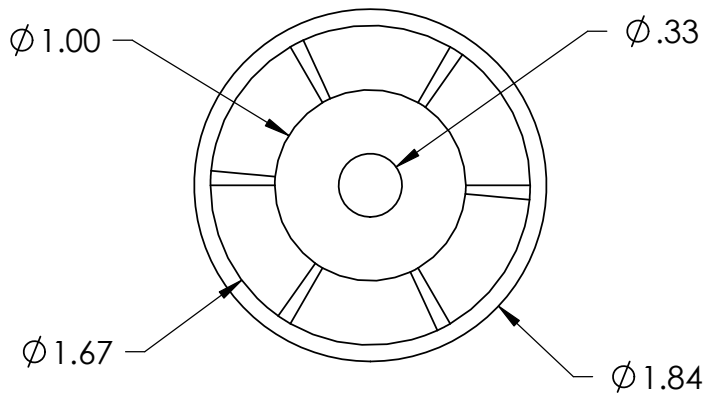


RATCHET



<p>PROPRIETARY AND CONFIDENTIAL</p> <p>THE INFORMATION CONTAINED IN THIS DRAWING IS THE SOLE PROPERTY OF <INSERT COMPANY NAME HERE>. ANY REPRODUCTION IN PART OR AS A WHOLE WITHOUT THE WRITTEN PERMISSION OF <INSERT COMPANY NAME HERE> IS PROHIBITED.</p>			<p>DIMENSIONS ARE IN INCHES TOLERANCES: FRACTIONAL \pm ANGULAR: MACH \pm BEND \pm TWO PLACE DECIMAL \pm THREE PLACE DECIMAL \pm</p> <p>MATERIAL 15% GLASS FILLED NYLON</p> <p>FINISH</p>	NAME	DATE	<p>CAVALLERO PLASTICS INC.</p>
				DRAWN	BDB	
				CHECKED		
				ENG APPR.		
				MFG APPR.		
				Q.A.		<p>COMMENTS:</p>
NEXT ASSY	USED ON					
APPLICATION	DO NOT SCALE DRAWING					
				SCALE: 1:1	WEIGHT:	<p>SIZE A DWG. NO. COP HOLDER 6 RATT REV.</p> <p>SHEET 1 OF 1</p>