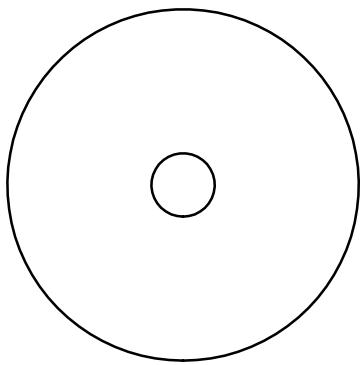
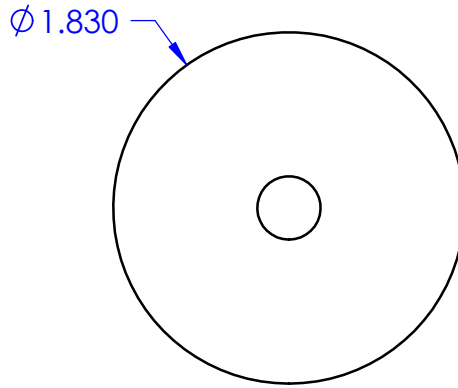


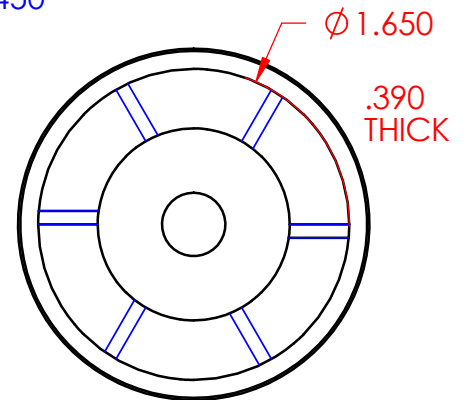
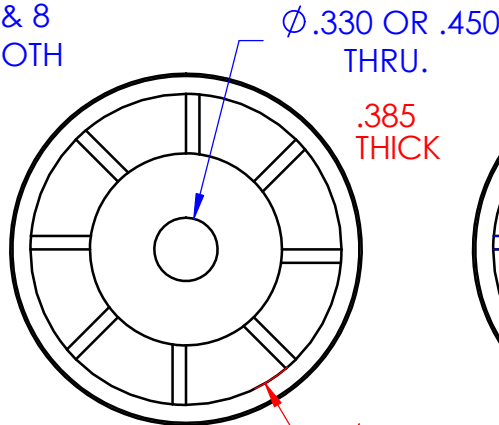
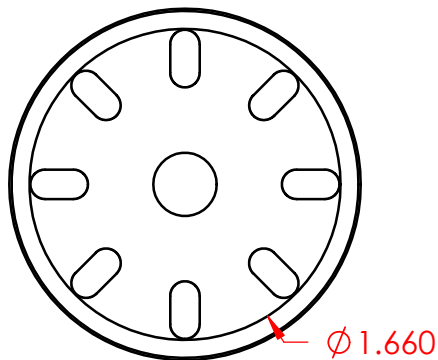
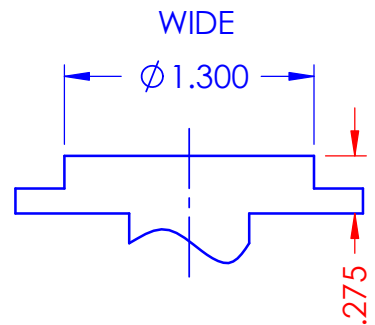
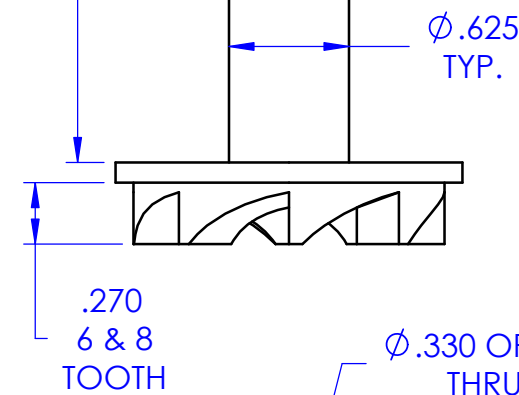
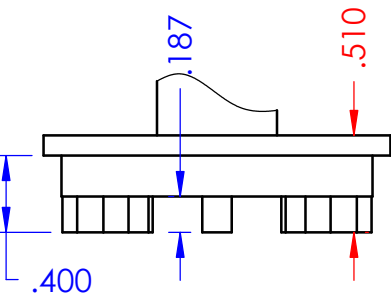
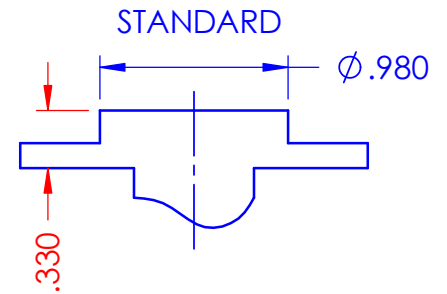
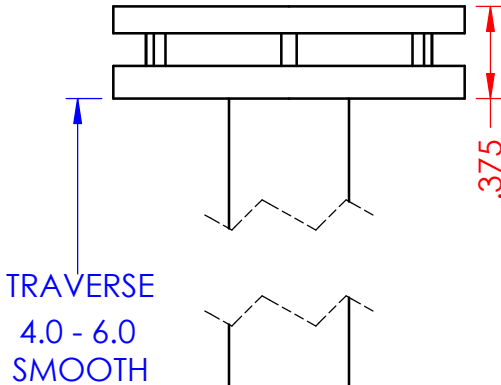
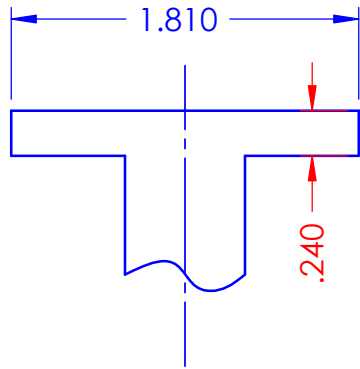
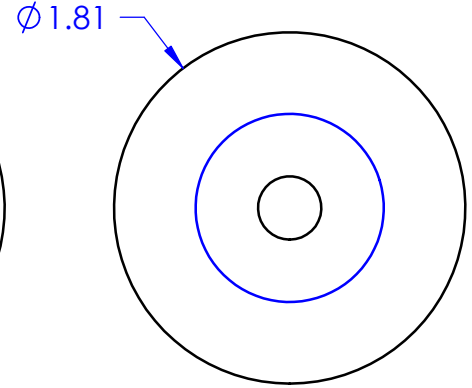
FLAT HEAD



DBL. HEAD



BUTTON HEAD



TAB TOOTH

8 TOOTH

6 TOOTH

| | | | | | | | |
|--|-------------|---------|--|---------------|---------------------------|------|---------------------------------------|
| <p>PROPRIETARY AND CONFIDENTIAL</p> <p>THE INFORMATION CONTAINED IN THIS DRAWING IS THE SOLE PROPERTY OF CAVALLERO PLASTICS INC.. ANY REPRODUCTION IN PART OR AS A WHOLE WITHOUT THE WRITTEN PERMISSION OF CAVALLERO PLASTICS INC. IS PROHIBITED.</p> | | | <p>DIMENSIONS ARE IN INCHES</p> <p>TOLERANCES:</p> <p>FRACTIONAL ±</p> <p>ANGULAR: MACH ± BEND ±</p> <p>TWO PLACE DECIMAL ±</p> <p>THREE PLACE DECIMAL ±</p> | DRAWN | NAME | DATE | <p>CAVALLERO PLASTICS INC.</p> |
| | | | | CHECKED | | | |
| | | | | ENG APPR. | | | |
| | | | | MFG APPR. | | | |
| | | | | Q.A. | | | |
| | | | | COMMENTS: | | | |
| | NEXT ASSY | USED ON | FINISH | | | | |
| | APPLICATION | | DO NOT SCALE DRAWING | | | | |
| | | | | SIZE A | DWG. NO. NO2BOBBIN | REV. | |
| | | | | SCALE:1:1 | WEIGHT: | | SHEET 1 OF 1 |